



MODELLO A-PORT-INOX MODEL A-PORT-INOX

Model

A-PORT-INOX

Name : Screwed Bonnet Needle valve

Application :

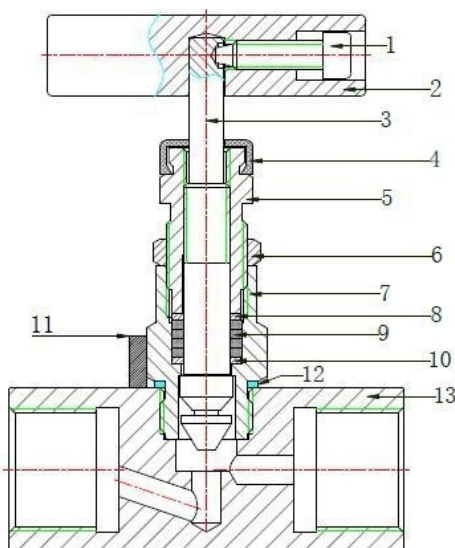
- ▲ Compact Design
- ▲ Non rotating vee tip design which forms a joint with the stem eliminates rotation between plug & seat at closure, this prevents scoring and galling up the valve seat and ensure long life in repetitive shut off service.
- ▲ Safety bonnet lock prevents accidental disassembly.
- ▲ Stem thread rolled & hard plated provides additional strength & maximum service life.
- ▲ Mirror finish stem, burnished to a 16RMS extends packing life and smooth stem operation.
- ▲ Adjustable Packing Below Stem threads prevents stem lubrication washout and isolate threads from process contamination.
- ▲ Upgraded large handle ensures ease of operation while actuating valve.
- ▲ Body to bonnet seal with metal to metal constant compression, Isolate bonnet threads from system fluids and eliminates possible tensile.
- ▲ Dust cap prevents contaminants and lubricant washout of bonnet assembly.
- ▲ All valves are hydrostatically tested to rated pressure prior to factory shipment.



Specifications :

Pressure rating 10000 psig (690bar) at 100°F (38°C) with
 Temperature rating -65 to 450°F (-54 to 232 °C) with PTFE packing
 Body material 316L stainless steel, 304 stainless steel , carbon steel.
 Port connections 1/8" to 3/4" and 3mm to 12mm Variety of end connection
 Orifice 4.8mm to 8.5mm)

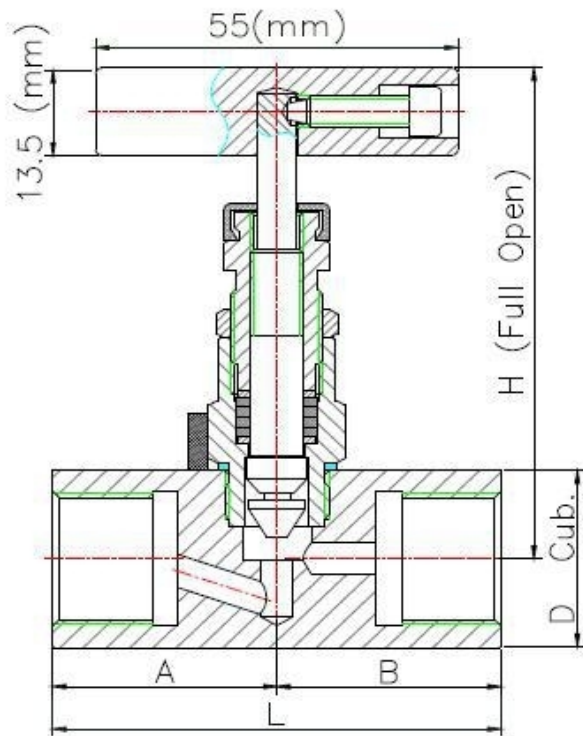
Constructions :



No.	Component	Material Grade/ASTM Specification
1	Grib Screw	Stainless Steel
2	Handle	Stainless Steel
3	Stem Shaft	SS316+Stellited
4	Dust Cap	Plastic LD.
5	Bonnet	SS316/SS304/A-105
6	Lock Nut	SS316/SS304/A-105
7	Gland Body	SS316/SS304/A-105
8	Packing Washer	SS316/SS304/A-105
9	Packing	PTFE/Graphoil
10	Washer	SS316/SS304/A-105
11	Lock Pin	Stainless Steel
12	O-ring	FKM
13	Body	SS316/SS304/A-105



MODELLO A-PORT-INOX MODEL A-PORT-INOX



CODICE
CODE

A-PORT-INOX

N1/4'' -F-B1/4''-F

①

②

Connections		② Order Number	Orifice (mm)	Cv	Dimensions (mm)				
Inlet	Outlet				L	A	B	D	H
1/4" Female NPT	1/4" Female NPT	N1/4"-F-N1/4"-F	4.8	0.52	62	31	31	26	86
1/4" Male NPT	1/4" Female NPT	N1/4"-M-N1/4"-F	4.8	0.52	62	31	31	26	86
3/8" Female NPT	3/8" Female NPT	N3/8"-F-N3/8"-F	4.8	0.52	62	31	31	26	86
3/8" Male NPT	3/8" Female NPT	N3/8"-M-N3/8"-F	4.8	0.52	62	31	31	26	86
1/2" Female NPT	1/2" Female NPT	N1/2"-F-N1/2"-F	4.8	0.52	68	34	34	29	94
1/2" Male NPT	1/2" Female NPT	N1/2"-M-N1/2"-F	4.8	0.52	68	34	34	29	94
1/2" Female ISO	1/2" Female ISO	R1/2"-F-R1/2"-F	4.8	0.52	69	34.5	34.5	29	94
3/4" Female NPT	3/4" Female NPT	N3/4"-F-N3/4"-F	6.4	1.40	76	38	38	37	98
3/4" Male NPT	3/4" Female NPT	N3/4"-M-N3/4"-F	6.4	1.40	78	40	38	37	98
3/4" Female ISO	3/4" Female ISO	R3/4"-F-R3/4"-F	6.4	1.40	77	38.5	38.5	37	98
1" Female NPT	1" Female NPT	N1"-F-N1"-F	8.5	1.80	85	42.5	42.5	45	104
1" Male NPT	1" Female NPT	N1"-M-N1"-F	8.5	1.80	85	42.5	42.5	45	104
1" Female ISO	1" Female ISO	R1"-F-R1"-F	8.5	1.80	85	42.5	42.5	45	104