

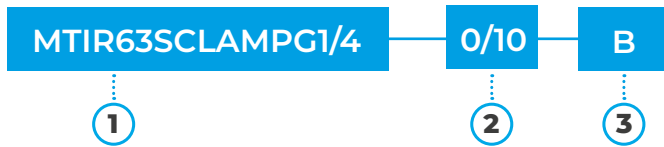


## MODELLO MTIR63SCLAMP MODEL MTIR63SCLAMP



### CODICE

CODE



### ① CONNESSIONE AL PROCESSO PROCESS CONNECTION

	Codice/Code
1/8" gas cilindrico	G1/8
1/8" gas conico	R1/8
1/8" NPT	N1/8
1/4" gas cilindrico	G1/4
1/4" gas conico	R1/4
1/4" NPT	N1/4
Altro Another	*

### ③ UNITÀ DI MISURA UNIT

	Codice/Code
Bar	B
Bar/Psi	B/P
Psi	P
Kpa	K
Mpa	M
Kg/cm <sup>2</sup>	KG/CM <sup>2</sup>
Altro / Another	*

### ② SCALA

RANGE	Codice Code	SCALA	RANGE	Codice Code
-1... 0	-1/0		0... 12	0/12
-1... 0.6	-1/0.6		0... 16	0/16
-1... 1.5	-1/1.5		0... 20	0/20
-1... 3	-1/3		0... 25	0/25
-1... 5	-1/5		0... 40	0/40
-1... 9	-1/9		0... 60	0/60
-1... 15	-1/15		0... 100	0/100
-1... 24	-1/24		0... 160	0/160
0... 0.6	0/0.6		0... 200	0/200
0... 1	0/1		0... 250	0/250
0... 1.6	0/1.6		0... 315	0/315
0... 2.5	0/2.5		0... 400	0/400
0... 4	0/4		0... 600	0/600
0... 6	0/6		0... 1000	0/1000
0... 10	0/10		Altro / Another	

Manometro a molla bourdon con separatore a membrana con attacco CLAMP

Diametro cassa: 63 mm

Esecuzione: Radiale

Normativa: EN 837-1

Classe di precisione: 1,6%

Attacco al processo: Acciaio Inox 1.4571

Elemento di misura: Acciaio Inox 316L

Movimento: Acciaio Inox 316L

Quadrante: In alluminio a fondo bianco, numerazione in nero con fermo sullo zero

Indice: in alluminio di colore nero

Trasparente: in policarbonato

Materiale della cassa e anello: Acciaio Inox

Bourdon tube pressure gauge with membrane separators for hygienic application

Nominal Size: 63 mm

Bottom

Design: EN 837-1

Accuracy Class: 1,6%

Process connection: Stainless Steel 1.4571

Pressure element: Stainless Steel 316L

Movement: Stainless Steel 316L

Dial: White aluminium with black marks

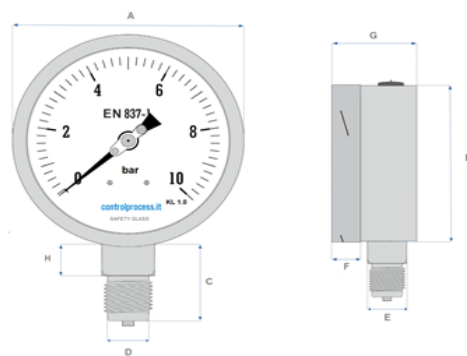
Black anodized aluminium

Window: polycarbonate

Case and Ring: Stainless Steel



## MODELLO MTIR63SCLAMP MODEL MTIR63SCLAMP



+/- 0.1	A	B	C	D	E	F	G	H
DN40	46.9	41	22	9.55	10.9	4.7	25.6	12
DN50	57.6	50.9	29	12.95	13.95	6.3	29.6	16
DN63	68	61.8	29	12.95	13.95	6.3	29.6	16
DN100	100.8	98.5	41	20.8	22	17	48.7	20
DN160	160	158	44	20.8	22	17	49.8	20

CONDIZIONI DI ESERCIZIO	OPERATING CONDITIONS
Temperatura ambiente: -30 ... +60°C	Ambient Temperature: -30 ... +60°C
Temperatura fluido di processo: -30 ... +120°C	Process fluid temperature: -30 ... +120°C
Deriva termica: massimo $\pm 0.3\%$ dell'ampiezza di campo ogni 10°C di differenza dalla temperatura di riferimento di 20°C	Thermal drift: maximum $\pm 0.3\%$ of span every 10°C of deviation from the reference temperature of 20°C
Pressione d'esercizio costante: 75% del fondo scala	Operating pressure constant: 75% del F.S.V.
Pressione d'esercizio variabile: 60% del fondo scala	Operating pressure changeable: 60% F.S.V.
Sovrapressione fino a 60 bar: 25% del fondo scala	Overpressure up to 60 bar: 25% F.S.V.
Sovrapressione > 100 bar: 15% del fondo scala	Overpressure from > 100 bar: 15% F.S.V.
Grado di protezione IP65 conforme EN 60529 / IEC 60529	Protection EN 60529 / IEC 60529 IP65

### OPZIONI

- Materiale Cassa e Anello in AISI 316L
- Flangia a 3 fori in Acciaio Inox
- Vetro multistrato di sicurezza  $\varnothing 63$

### OPTION

- Case and Ring material AISI 316 L
- Front Flange 3 hole Stainless Steel
- Setting glass for  $\varnothing 63$

## CERTIFICAZIONI

### CERTIFICATE

- **Certificato di taratura conforme a ISO/IEC 17025 3.1b**  
Calibration report ISO / IEC 17025 3.1b
- **Certificato taratura organismo accreditato nazionale**  
National Accredited Calibration Certificate
- **Certificato origine camera commercio**  
Certificate of origin Chamber of Commerce
- **Certificazione di prova 2.2 conforme EN 10204 (produzione stato dell'arte, precisione indicazione)**  
Certificate 2.2 EN 10204
- **Certificazione 3.1 conforme ad EN 10204 (cert. Materiale)**  
Certificate 3.1 EN 10204 (material certificate)



# Diaphragm seals for hygienic applications

## Main Features

- Stainless steel 1.4404/1.4435 (316L)
- Hygienic connection according to several standards
- Sterilization in place (SIP)

- Cleaning in place (CIP)
- 3A
- FDA conform

## Applications

- Food and Beverage
- Laboratory and Medical

## Technical Data

This diaphragm seals are used to design hygienic process connections for pressure gauges and to protect pressure gauges from high temperatures and aggressive process fluids.

Hygienic process connections with flush diaphragm ensure efficient cleaning processes and avoid pollutions and developing of bacterias in htgienic production processes.

Diaphragm seals can be mounted to mechanical pressure gauges, switches or transmitters directly or with a flexible capillary. The filling fluid of the measuring system has to be choosen compatible to the application. For hygienic applications a choice of FDA conform filling fluids are available.

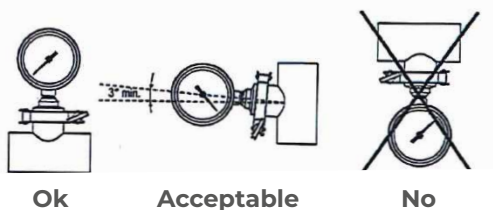
Pressure gauges and transmitters assembled with diaphragm seals can be ordered with 3A approval and marking (option 1985).

Min. pressure ranges	see table on page 4
Max. pressure	25 bar (DANC) 40 bar (others)
Body material	Stainless Steel 1.4404 (AISI 316L)
Diaphragm	Stainless Steel 1.4435 (AISI 316L) Option: Hastelloy C276 (2.4819)
Surface roughness	Wetted parts $Ra \leq 0.8 \mu m$ Option: $Ra \leq 0.4 \mu m$ (welding $Ra \leq 0.8 \mu m$ )
Approvals	3A (option 1985) Available for diaphragm seals assembled with; -Pressure gauges MEX, MIX, MMX, MEP or Pressure switches TED/YTED including 3A marking of the product
Working temperature	-20... 225 °C (depending on the filling fluid)
Filling Fluid	LRS1: Vaseline (-15... 150 °C, FDA conform) LRS10: Vaseline (-20... 225 °C, FDA conform) other filling fluids on request
Gaskets	Not included

## 3A

- 3A option is not available with cooling element
- Only available with transmission fluid LRS1 or LRS10
- Only available with damping fluid H1, BH2 or BH10 in the pressure gauge
- Pressure gauges mounted on hygienic seals must have laminated safety glass (0751) or Polycarbonate window (0753)

- Gaskets must be self centering and in accordance with 3A material requirements
- Mounting must be self draining and as short as possible (see drawings)
- Welding to the piping should have a roughness  $Ra \leq 0.8 \mu m$



**CONTROL PROCESS srl**

Via Anzalone, 22 - 95024 Acireale

Telefono +39 095 721 38 41 - Fax + 39 095 721 07 12

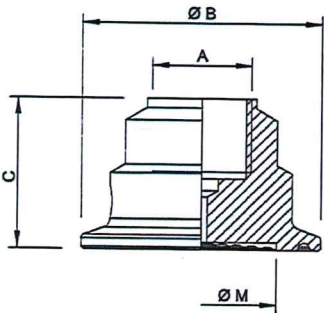
email: [info@controlprocess.it](mailto:info@controlprocess.it)



# Diaphragm seals for hygienic applications

## Dimensions - Types of mounting

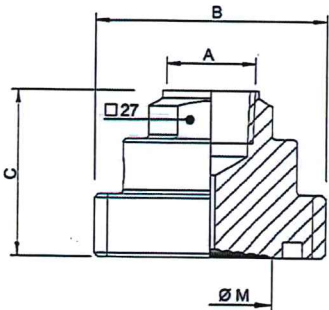
### CLAMP



CODE	DN	A	ØB	C	ØM	WEIGHT KG
SCLAMP07	DN 25 ISO 2852	G1/2 or G1/4	50.5	32 <sup>(1)</sup>	19	0.20
SCLAMP01	DN 38 ISO 2852	G1/2 or G1/4	50.5	32 <sup>(1)</sup>	32	0.20
SCLAMP02	DN 51 ISO 2852	G1/2 or G1/4	64	32 <sup>(1)</sup>	45	0.32
SCLAMP03	DN 25 DIN 32676	G1/2 or G1/4	50.5	32 <sup>(1)</sup>	19	0.20
SCLAMP10	DN 40 DIN 32676	G1/2 or G1/4	50.5	32 <sup>(1)</sup>	32	0.20
SCLAMP13	DN 50 DIN 32676	G1/2 or G1/4	64	32 <sup>(1)</sup>	45	0.32

<sup>(1)</sup>C=30 with instrument connection A = G 1/4

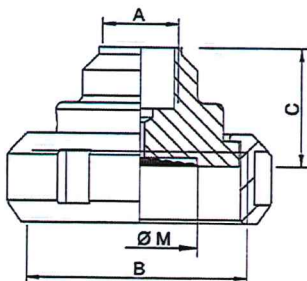
### SMS 1147 with thread



CODE	DN	A	B	C	ØM	WEIGHT KG
SSMS09	DN 25 SMS 1147	G1/2 or G1/4	Rd 40 x 1/6	43 <sup>(1)</sup>	19	0.35
SSMS11	DN 38 SMS 1147	G1/2 or G1/4	Rd 60 x 1/6	43 <sup>(1)</sup>	32	0.52
SSMS14	DN 51 SMS 1147	G1/2 or G1/4	Rd 70 x 1/6	43 <sup>(1)</sup>	45	0.65

<sup>(2)</sup>C=41 with instrument connection A = G 1/4

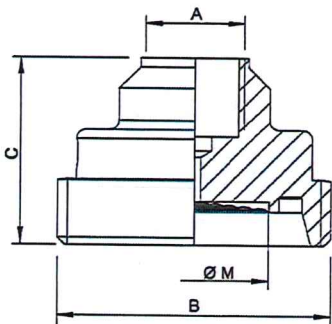
### SMS 1147 with nut



CODE	DN	A	B	C	ØM	WEIGHT KG
SSMSN09	DN 25 SMS 1147	G1/2 or G1/4	Rd 40 x 1/6	35 <sup>(3)</sup>	19	0.31
SSMSN11	DN 38 SMS 1147	G1/2 or G1/4	Rd 60 x 1/6	33 <sup>(3)</sup>	32	0.55
SSMSN14	DN 51 SMS 1147	G1/2 or G1/4	Rd 70 x 1/6	33 <sup>(3)</sup>	45	0.76

<sup>(3)</sup>C=28 with instrument connection A = G 1/4

### DIN 11851 with thread



CODE	DN	A	B	C	ØM	WEIGHT KG
SDIN11851 06	DN 25 DIN 11851	G1/2 or G1/4	Rd 52 x 1/6	40 <sup>(4)</sup>	19	0.31
SDIN11851 03	DN 32 DIN 11851	G1/2 or G1/4	Rd 58 x 1/6	40 <sup>(4)</sup>	32	0.37
SDIN11851 04	DN 40 DIN 11851	G1/2 or G1/4	Rd 65 x 1/6	40 <sup>(4)</sup>	32	0.48
SDIN11851 05	DN 50 DIN 11851	G1/2 or G1/4	Rd 78 x 1/6	42 <sup>(4)</sup>	45	0.61

<sup>(4)</sup>C=35 with instrument connection A = G 1/4

**CONTROL PROCESS srl**

Via Anzalone, 22 - 95024 Acireale

Telefono +39 095 721 38 41 - Fax + 39 095 721 07 12

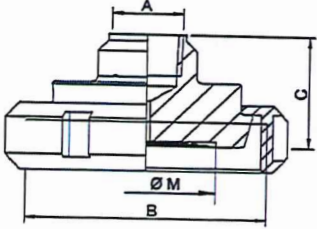
email: [info@controlprocess.it](mailto:info@controlprocess.it)



# Diaphragm seals for hygienic applications

## Dimensions - Types of mounting

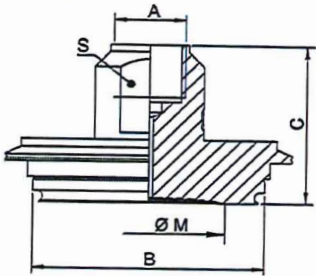
DIN 11851 with nut



CODE	DN	A	B	C	ØM	WEIGHT KG
SDIN11851N06	DN 25 DIN 11851	G1/2 or G1/4	Rd 52 x 1/6	37 <sup>(5)</sup>	19	0.43
SDIN11851N03	DN 32 DIN 11851	G1/2 or G1/4	Rd 58 x 1/6	37 <sup>(5)</sup>	32	0.52
SDIN11851N04	DN 40 DIN 11851	G1/2 or G1/4	Rd 65 x 1/6	37 <sup>(5)</sup>	32	0.62
SDIN11851N05	DN 50 DIN 11851	G1/2 or G1/4	Rd 78 x 1/6	37 <sup>(5)</sup>	45	0.90

<sup>(5)</sup>C=31 with instrument connection A = G 1/4

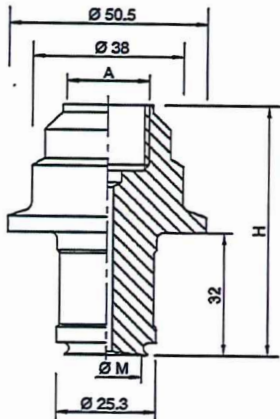
Varivent®



CODE	DN	A	B	C	ØM	WEIGHT KG
SVARIVENT23	DN 10/15	G1/2 or G1/4	31	47 <sup>(6)</sup>	19	0.32
SVARIVENT19	DN 25	G1/2 or G1/4	50	47 <sup>(6)</sup>	32	0.41
SVARIVENT20	DN 40/125	G1/2 or G1/4	68	47 <sup>(6)</sup>	45	0.70

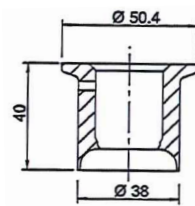
<sup>(6)</sup>C=40 with instrument connection A = G 1/4

3A extended clamp

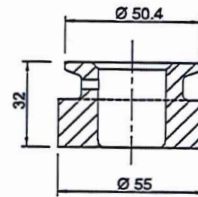


CODE	DN	A	H	ØM	WEIGHT KG
S3A29	DN 38	G1/2 or G1/4	65 <sup>(7)</sup>	19	0.35

<sup>(7)</sup>C=35 with instrument connection A = G 1/4



Welding part for pipe



Welding part for tank

Minimum pressure ranges depending on diaphragm diameter ØM<sup>(1)</sup>

ØM (mm)	DN 63		DN 100/150/160	
	gauge	compound	gauge	compound
19	0 ... 4 bar	-1 ... 3 bar	-	-
32	0 ... 2.5 bar	-1 ... 3 bar	0 ... 6 bar	-1 ... 5 bar
45	0 ... 1 bar	-1 ... 1.5 bar	0 ... 1.6 bar	-1 ... 3 bar

**CONTROL PROCESS srl**  
Via Anzalone, 22 - 95024 Acireale  
Telefono +39 095 721 38 41 - Fax + 39 095 721 07 12

email: [info@controlprocess.it](mailto:info@controlprocess.it)

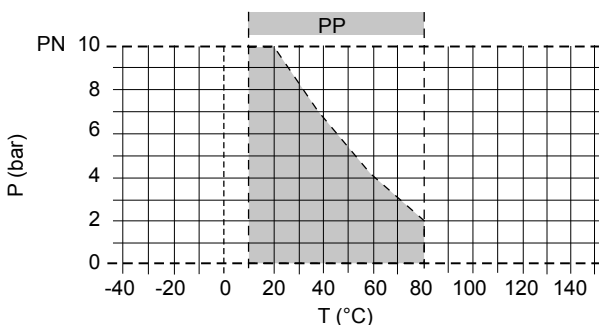
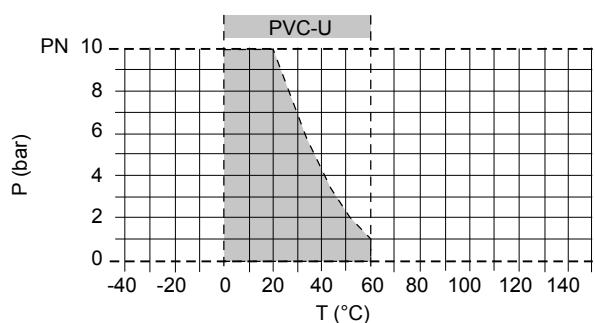


## Diaphragm seals for hygienic applications

			xxxx	xx	-	x	x	x	x
<b>Model</b>									
<b>Clamp</b>	SCLAMP	DANC							
SMS 1147 with thread	SSMS	DAEF							
SMS 1147 with nut	SSMS	DAEL							
DIN 11851 with thread	SDIN11851	DADF							
DIN 11851 with nut	SDIN11851	DADL							
Varivent	SVarivent	DAVA							
3A extended clamp	S3A	DAPH							
<b>Nominal size</b>									
Clamp DN 25 ISO 2852	SCLAMP		07						
Clamp DN 38 ISO 2852	-		01						
Clamp DN 51 ISO 2852	-		02						
Clamp DN 25 ISO 32676	-		08						
Clamp DN 40 ISO 32676	-		10						
Clamp DN 50 ISO 32676	-		13						
<b>DN 25 SMS 1147</b>									
	SSMS/SSMSN		09						
<b>DN 38 SMS 1147</b>									
	-		11						
<b>DN 51 SMS 1147</b>									
	-		14						
<b>DN 25 DIN 11851</b>									
	-		06						
<b>DN 32 DIN 11851</b>									
	-		03						
<b>DN 40 DIN 11851</b>									
	-		04						
<b>DN 50 DIN 11851</b>									
	-		05						
<b>Varivent type B (for DN 10/15)</b>									
	SVarivent		23						
<b>Varivent type F (for DN 25)</b>									
	-		19						
<b>Varivent type N (for DN 40/125)</b>									
	-		20						
<b>3A extended clamp</b>									
	S3A		29						
<b>Bodi material</b>									
Stainless Steel 1.4404 (AISI 316L)					2				
<b>Instrument connection</b>									
G 1/2							L		
G 1/4							H		
<b>Membrane material</b>									
Stainless Steel 316L (1.4435)								2	
Hastelloy C276 (2.4819)								6	
<b>Surface finish</b>									
Ra ≤ 0.8									A
Ra ≤ 0.4 (electropolished)									B

# Diaphragm pressure gauge guard

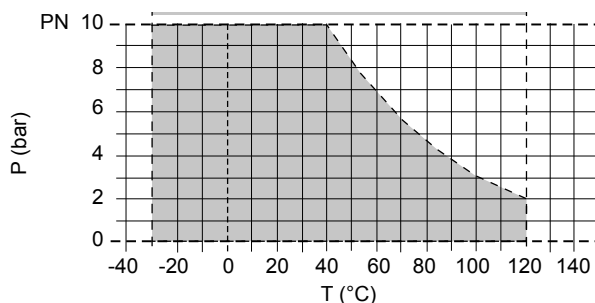
## Pressure/temperature diagram



The pressure/temperature limits of the materials are valid for the stated nominal pressures and a service life of 25 years.

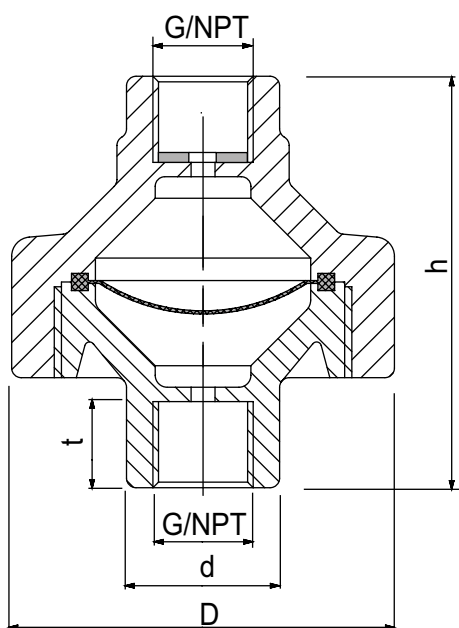
These values are guide values for flow medium types which do not negatively impact the physical and chemical characteristics of the valve material. It may be necessary to take diminution factors into consideration.

The operating life of the wear parts depends on the conditions of use.



### Description

P	Operating pressure
T	Temperature



### Connection spigot end

	25	32
d (mm)	25	32
DN (mm)	20	25
G (inch)	1/4	1/2
D	80.0	80.0
d	25.0	32.0
G*	1/4	1/2
h	86.0	86.0
t	18.0	22.0

all dimensions in mm / \* dimensions in inch

**CONTROL PROCESS srl**

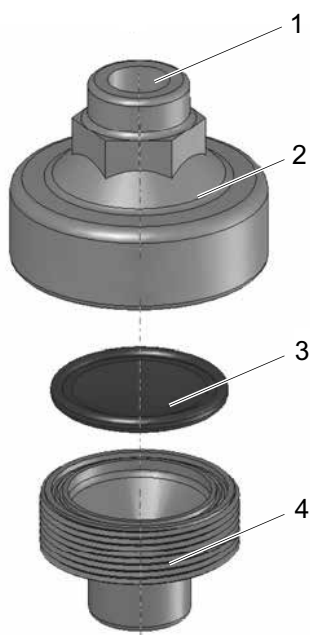
Via Anzalone, 22 - 95024 Acireale

Telefono +39 095 721 38 41 - Fax + 39 095 721 07 12

email: [info@controlprocess.it](mailto:info@controlprocess.it)

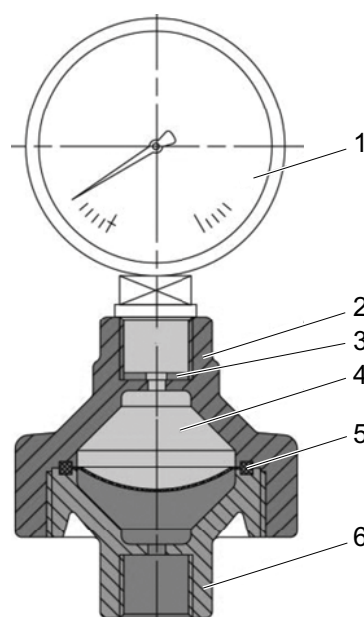
# Diaphragm pressure gauge guard

## Structure



Position	Designation
1	Connection, pressure gauge
2	Bonnet
3	Separating diaphragm
4	Bottom section

## Components



Position	Designation
1	Pressure gauge
2	Bonnet
3	Flat sealing
4	Transmitter fluid
5	Separating diaphragm
6	Bottom section